

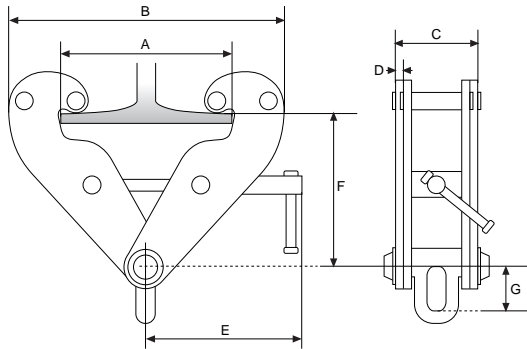
LOADSET GIRDER CLAMP

Capacities: 1 tonne to 10 tonnes

Loadset Girder Clamps are a versatile lifting tool designed for heavy-duty applications, providing an easy to operate and secure means of attaching a lift point to an overhead beam.

- Available in 1t, 2t, 3t, 5t and 10t capacities
- Easily adjusts to suit any girder width in range
- Bottom eye allows simple attachment of a chain block or lever hoist
- Bottom eye swivels for sideways lifting (50% of WLL at 45°)
- Robust all-steel construction
- Stainless steel ID plates
- Proof Load Tested at manufacture (2 x WLL)

CONFORMS TO AS4991



PRODUCT CODE	WLL tonnes	BEAM FLANGE RANGE mm	WEIGHT/unit KG	DIMENSIONS mm								
				Max.A	Max.B	Min.B	C	D	E	Max.F	Min.F	G
GCL01LS	1	75-230	4.5	284	375	180	64	4	218	160	102	45
GCL02LS	2	75-230	5.0	284	375	180	74	6	218	160	102	45
GCL03LS	3	80-320	10.5	365	498	220	103	8	271	240	168	58
GCL05LS	5	80-320	11.0	365	498	220	110	10	271	240	168	58
GCL10LS	10	90-320	16.0	356	514	250	120	12	280	242	172	90

