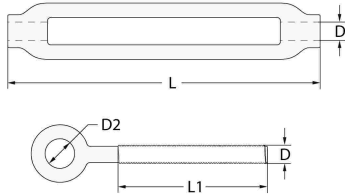
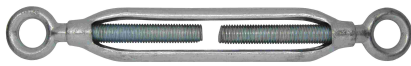


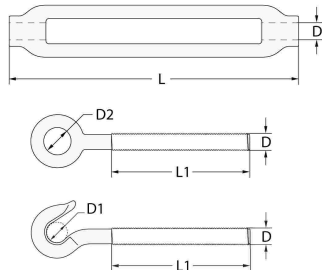
COMMERCIAL TURNBUCKLES (NOT TO BE USED FOR LIFTING)

- Hook or eye end fittings for light duty tensioning of wire rope assemblies
- Sizes available are from 5mm - 25mm
- Zinc plated finish



EYE-EYE TURNBUCKLE

PRODUCT CODE	SIZE mm	WEIGHT/unit KG	DIMENSIONS mm			
			L	L1	D	D2
TBK06EE	6	0.067	80	35	6	9
TBK08EE	8	0.13	105	50	8	11
TBK10EE	10	0.23	130	62	10	16
TBK12EE	12	0.35	140	65	12	18
TBK16EE	16	0.90	178	88	16	24
TBK20EE	20	1.43	215	110	20	28
TBK22EE	22	2.10	240	120	22	32
TBK25EE	25	2.62	255	135	25	36



HOOK-EYE TURNBUCKLE

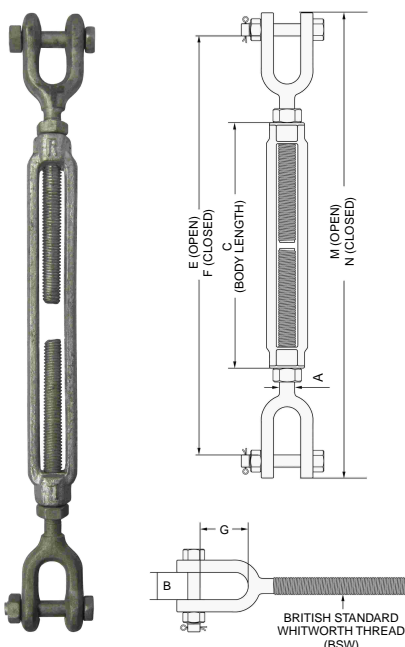
PRODUCT CODE	SIZE mm	WEIGHT/unit KG	DIMENSIONS mm				
			D	D1	D2	L	L1
TBK06HE	6	0.052	6	8	9	80	35
TBK08HE	8	0.098	8	10	11	105	50
TBK10HE	10	0.226	10	16	16	130	62
TBK12HE	12	0.338	12	18	18	140	65
TBK16HE	16	0.898	16	24	24	178	88
TBK20HE	20	1.595	20	28	28	215	110
TBK22HE	22	2.18	22	32	32	240	120
TBK25HE	25	2.8	25	36	36	255	135

RATED TURNBUCKLE (SUITABLE FOR INDUSTRIAL LIFTING PURPOSES)

Generally used for straight or in line tensioning in conjunction with wire rope and chain assemblies when heavy duty straining and lifting applications are required.

JAW-JAW TURNBUCKLE

- Manufactured from high tensile material quenched and tempered hot dipped galvanized finish suitable for outdoors.
- Available in imperial sizing and jaw end fittings.
- Meets the design requirements of US Federal Specifications.
- Proof tested to 2 x WLL and Minimum Break Force is 5 x WLL.
- Test certificates available upon request.



PRODUCT CODE	SIZE in.	WLL T	WEIGHT/unit KG	DIMENSIONS mm							
				A	B	C	E	F	G	M	N
TBS10x6JJ	3/8	0.54	0.37	9.65	12.7	152	410	258	22.1	441	289
TBS12x6JJ	1/2	1	0.71	12.7	16	152	470	292	26.9	508	330
TBS16x12JJ	5/8	1.59	1.56	16	19	229	662	401	33.3	715	454
TBS20x12JJ	3/4	2.36	2.98	19.1	23.4	305	851	508	38.1	917	574
TBS22x12JJ	7/8	3.27	3.71	22.4	28.7	305	892	543	44.5	967	618
TBS25x12JJ	1	4.54	5.53	25.4	30	305	933	577	52.5	1018	662
TBS32x12JJ	1 1/4	6.89	9.36	31.8	44.5	305	1012	644	71.5	1119	750
TBS38x12JJ	1 1/2	9.71	13.9	38.1	52	305	1054	673	71.5	1181	800
TBS44x18JJ	1 3/4	12.7	24.5	44.5	60	457	1356	899	86	1503	1046
TBS52x24JJ	2	16.8	42.8	51	63.5	610	1766	1157	93.5	1949	1339
TBS64x24JJ	2 1/2	27.2	75	63.5	73	610	1854	1244	113	2087	1478