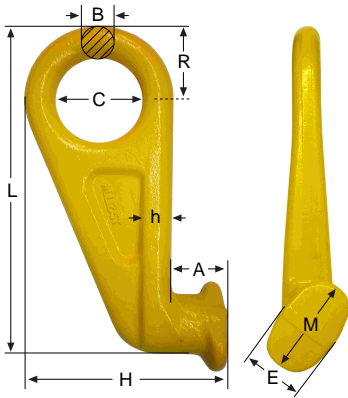


**CONTAINER HOOK - EYE TYPE**

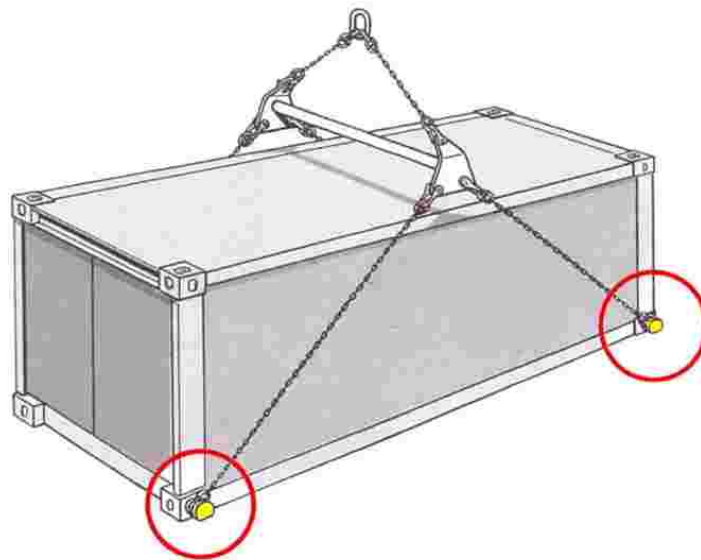


MAX8 Eye Type Container Hooks are suitable for lifting containers by connection to twist lock pockets. The large diameter eye allows most sized hooks to fit. They are available in left and right hand configurations.

- Manufactured from G80 alloy steel with a safety factor of 4:1
- Test Certificates are available on request
- Conforms to AS3776



PRODUCT CODE	CHAIN SIZE G80 (mm)	WLL tonne	WEIGHT KG	DIMENSIONS mm								
				A	B	C	E	R	M	L	H	h
CONLHMAX	20	12.5	4	46	25	70	48	60	75	265	166	25
CONRHMAX	20	12.5	4	46	25	70	48	60	75	265	166	25



**CONTAINER LUG - LOW PROFILE**



**22T WLL/PAIR**

- Suits 16mm - 22mm Chain Connectors
- Low profile, lightweight design
- Tested & certified