

OVERLOAD PROTECTION CHAIN HOIST

Capacities from 0.5 up to 20 tonnes

Improved hook tips
with cast self-locking
latches.



Integrated safety
Overload Clutch.



Extra Thickness
Ratchet Gear match
Double Pawls.



Chrome plated finish
on side plate, golden
zinc plated on inner
parts.



Innovative bottom
hook with caged
roller bearings.



Powder Coated
paint finish

Aluminum
name plate



All steel
construction

Camber design
without any
tuber for free
lift.

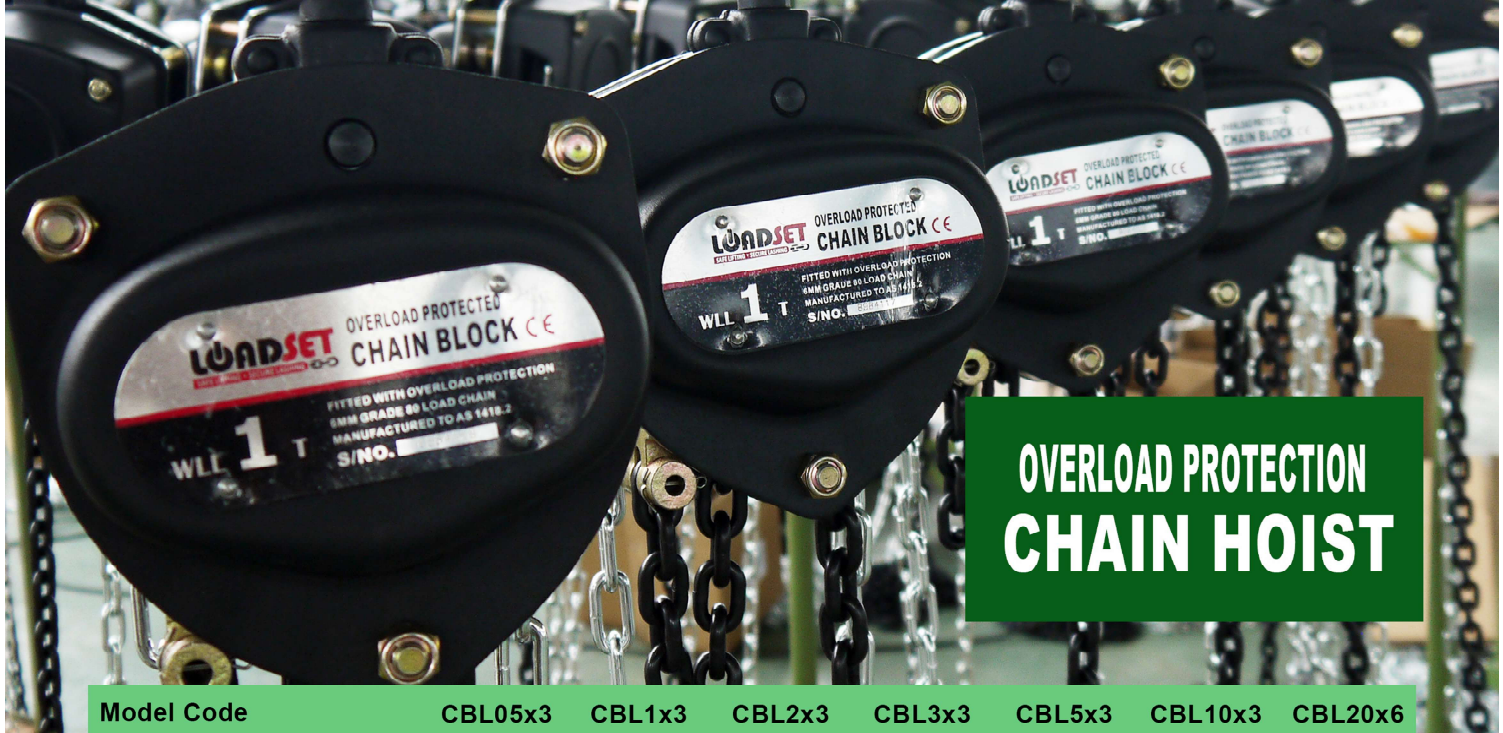
High strength
plated alloy
load chain



Complies to AS1418.2

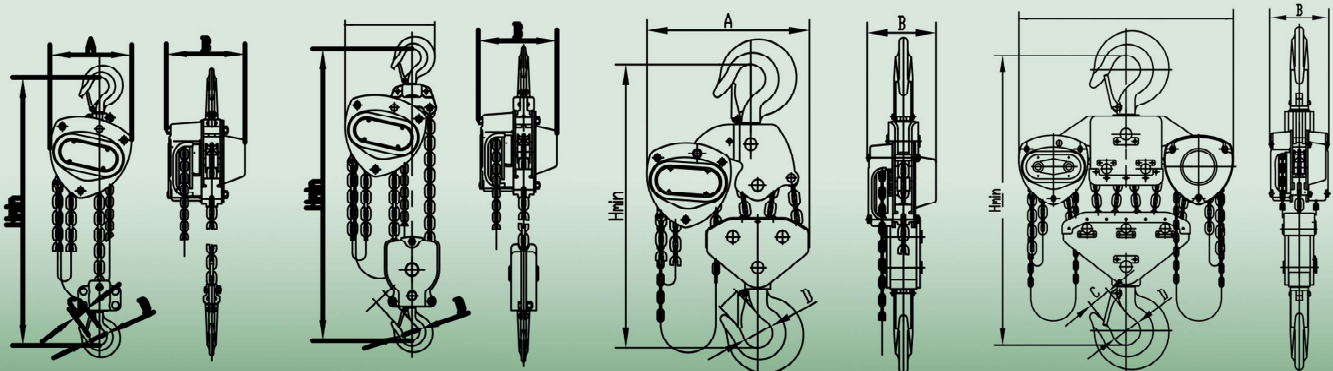
LOADSET
SAFE LIFTING - SECURE LASHING

enquiries@loadset.com.au
www.loadset.com.au



OVERLOAD PROTECTION CHAIN HOIST

Model Code		CBL05x3	CBL1x3	CBL2x3	CBL3x3	CBL5x3	CBL10x3	CBL20x6
Capacity	T	0.5	1	2	3	5	10	20
Standard Lift	m	3/6	3	3	3	3	3	6
Running Test Load	T	0.75	1.5	3	4.5	7.5	15	30
Effort Required To Lift Rated Load	N	255	260	300	335	360	392	392x2
Falls of Load Chain		1	1	1	2	2	4	8
Load Chain Diameter	mm	Φ5x15	Φ6x18	Φ8x24	Φ7x21	Φ10x30	Φ10x30	Φ10x30
	A	153	177	217	205	240	395	837
	B	150	176	212	198	238	200	189
Dimensions	C	139	150	180	177	192	192	81.4
	D	27	30	40	43	50	57	109
	Hmin	320	360	430	600	684	850	970
Net Weight	Kg	9.5/14.2	12.5	21	25	41	82	244
Extra Weight Per Meter of Extra Lift	Kg	1.58	1.82	2.44	3.32	4.64	8.26	16.52



LOADSET
SAFE LIFTING - SECURE LASHING