



# OVERLOAD PROTECTION LEVER HOIST

Capacities from 0.75 up to 9 tonnes



Reinforced handle with improved hand grip for greater user safety.



Improved hook design with extra heavy duty cast safety latches.



Integrated safety overload clutch to ensure blocks cannot be manually overloaded.



Improved hand wheel design for easy operation.



Innovative bottom hook with caged roller bearing for easy swivelling under load.



Powder Coated paint finish

All steel construction

Aluminum name plate

High strength plated alloy load chain for extra corrosion resistance.

Unique bottom hook design for extra safety.



Complies to AS1418.2



[enquiries@loadset.com.au](mailto:enquiries@loadset.com.au)

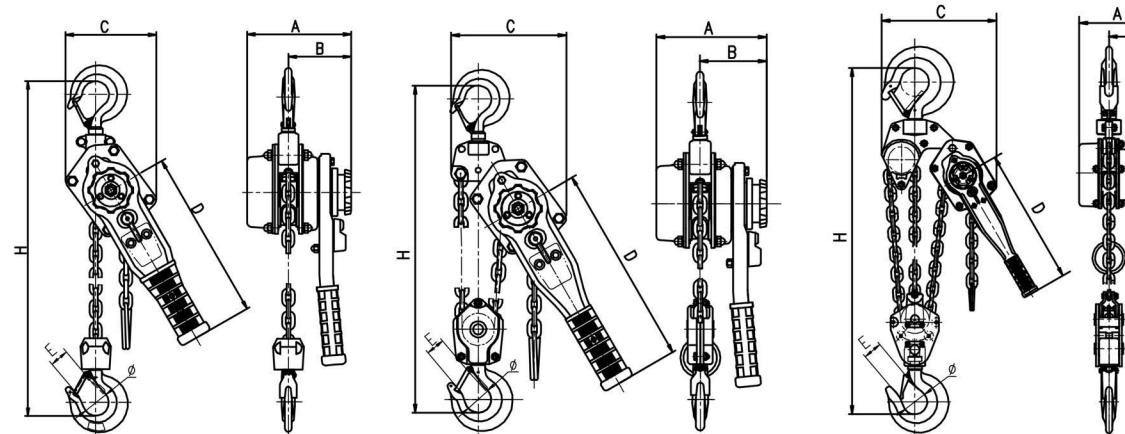
[www.loadset.com](http://www.loadset.com)



## OVERLOAD PROTECTION LEVER HOIST

Model Code		LEV0800LS	LEV1600LS	LEV3200LS	LEV6300LS	LEV9000LS
Capacity	T	0.8	1.6	3.2	6.3	9
Standard Lift	m	1.5	1.5	1.5	1.5	1.5
Running Test Load	T	0.96	1.92	3.84	7.56	10.8
Effort To Lift Rated Load	N	250	373	390	398	400
Falls of Load Chain		1	1	1	2	3
Load Chain Diameter	mm	Φ6x18	Φ7x21	Φ10x30	Φ10x30	Φ10x30
Dimensions	A	157	178	206	206	206
	B	94	104	118	118	118
	C	140	145	199	230	342
	Ø	37.5	42.5	50	65	85
	E	26	31	37	46	55
Min.Distance between hooks	H	365	400	520	595	800
Length o Lever handle	D	245	325	405	405	405
Net Weight	Kg	7.9	10.9	14.4	35	50
Extra Weight Per Meter of Extra Lift	Kg	0.8	1.1	2.2	4.4	6.6

Note: Longer lifting height available on request!



0.8T-3.2T

6.3T

9T