

# SAFE-T-WEIGH PORTABLE LOAD INDICATOR

- Quick and simple load checking, testing measurement and weighing.
- Totally portable Operation
- Standard Range 2 to 120 tonnes  
(Units available with 2t, 6.5t, 12t, 25t, 55t, or 120t load capacity)
- Lightweight and high strength aluminium link body
- 2,4GHz operating frequency

#### Uses:

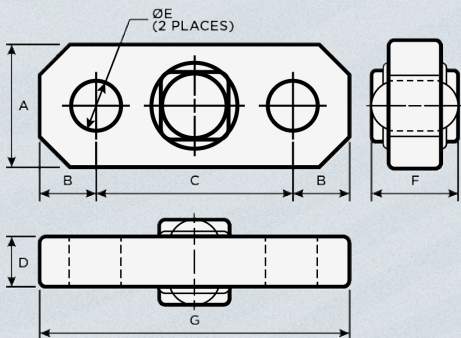
- Mobile and Tower Cranes
- Checking Weighing
- Tension Measurement
- Construction Operations
- Testing

#### Features:

- Lightweight aluminium body for ease of transportation and installation.
- Battery Life: Active - not less than 70 hours.
- Battery type link - 2x type AA, Handheld - 4x type AA.
- Power-on system test and calibration check.
- Illuminated 15mm digits.
- Proof Load: 200% Working Load Limit (150% for 55t and above)
- Ultimate load: 7x Working Load Limit
- Ambient temperature: -10° to +40 °C
- Accuracy: Within 1% of actual reading
- Range: Not less than 100m
- Link Unit: Waterproofed to IP65



- Push-button Tare
- Peak Hold
- Push-button unit conversion



LOAD CAPACITY (t)	LINK WEIGHT (kg)	SHACKLE		DIMENSIONS (mm)						
		WLL (t)	SIZE (mm)	A	B	C	D	ØE	F	G
2	2.5	6.5	22	100	47	166	34	28	74	260
6.5	2.5	6.5	22	100	47	166	34	28	74	260
12	6.5	12	32	100	58	176	40	37	80	292
25	7	25	44	125	75	220	55	53	95	370
55	14.5	55	63	150	108	254	85	73	125	470
120	40	120	89	220	160	320	115	96	155	640

Link Material - Aluminum Alloy

