



**SAFE-T-WEIGH**

# Radio Telemetry Load Indicators

Quick and Simple Load Checking,  
Testing and Measurement

Under-Hook Weighing

Totally Portable Operation

Standard Range 2 to 150 Tonnes

Lightweight & High Strength  
Aluminium Link Body

Worldwide Licence Exempt  
2.4GHz Operating Frequency

Range: 100 metres

Battery Life: 70 hours



CE

FACT SHEET

## APPLICATIONS

Under-Hook Weighing  
 Mobile and Tower Cranes  
 Check Weighing  
 Tension Measurement  
 Construction Operations  
 Proof Testing

## FEATURES

Quick & Portable Wireless Load Measurement.  
 High strength, lightweight aluminium body for ease of transportation and installation.  
 Standard Sizes: 2, 6.5, 12, 25, 35, 55, 85, 120, 150 metric tons.

**Safety Factor:** 700% WLL

**Battery Life:** 70 hours

**Battery Type—Link:** 2 x AA/LR6

**Battery Type—Display:** 4 x AA/LR6

**Radio Frequency:** 2.4GHz

**Proof Load:** 200% WLL  
 150% for 35T WLL and above

**Operating Temperature:** -10°C to +40°C

**Accuracy:** ±1% of actual reading

**Range:** 100m under normal conditions

**Weatherproofed to:** IP65

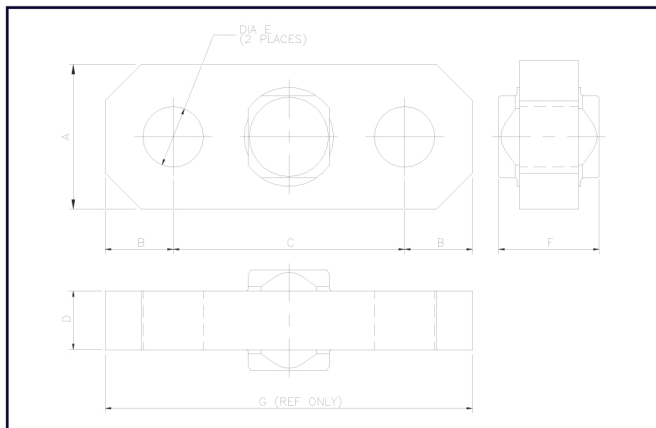
“Power on” system test

Illuminated 15mm digits

Push Button Tare

Peak Hold

Push button Unit Conversion (T,kg,lb,T<sub>i</sub>,T<sub>s</sub>)



Load capacity (tonnes)	A	B	C	D	ØE	F	G
2	100	47	166	34	28	74	260
6.5	100	47	166	34	28	74	260
12	100	58	176	40	37	80	292
25	125	75	220	55	53	95	370
55	150	108	254	85	73	125	470
120	220	160	320	115	98	155	640

All dimensions in millimeters (unless otherwise stated)

Load Capacity (tonnes)	Link Weight (Approx)	Shackle WLL	Crosby G2130 Size
2	2.5kg	6.5T	7/8"
6.5	2.5Kg	6.5T	7/8"
12	6.5Kg	12.0T	1 1/4"
25	7.0Kg	25.0T	1 3/4"
55	14.5Kg	55.0T	2 1/2"
120	40.0Kg	120.0T	3 1/2"

Link Material - Aluminium Alloy



With a policy of continuous improvement, the above specification is subject to alteration.  
 Please confirm any critical factor prior to order. Calibration traceable to U.K. National Standards

